

PTC

Power Train Components

YOUR PARTNERS FOR PROFIT!

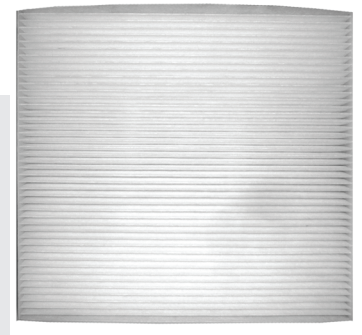
Unlock Hidden Profits with PTC's Cabin Air Filter Program **The Unseen Filter**

Well over 90% of late model cars and trucks on the road today are equipped with Cabin Air Filters, yet many people don't know it and neglect required filter replacement service intervals which are recommended every **12,000 to 18,000 miles**. Driving on **dusty roads require more frequent filter changes**. This represents a tremendous profit opportunity, because with over 239 million vehicles on the road today (source: AASA), this maintenance category remains significantly under serviced.

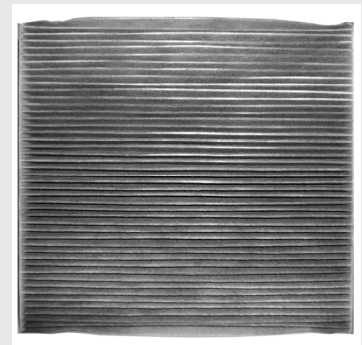
PTC offers a full line of Cabin Air Filters that contain either particulate and/or activated charcoal media to help filter out over 90% of pollutants, particles, harmful gases and bacteria that can affect your health. Many filters are also available for the cabin air vehicle frame; **no need to replace the entire filter and frame assembly**.

KEY FEATURES & BENEFITS

- The "Car Care Council" cautions that contaminants inside a vehicle can be as much as **6x HIGHER** than the levels outside the vehicle
- Help filter out over 90% of dust, pollen, gases, tire and brake line particles and other harmful bacteria
- Manufactured to ISO9001/9002/9003 and QS9000 certified standards
- Improves riding comfort by improving the air quality in your vehicle
- Protect the performance of your vehicle's heating and air conditioning system from corrosion
- Eliminate potential "pressure back-up" that will diminish heat and AC output and can lead to possible major component failure down the road; including an AC condenser/evaporator, heater core and more



New PTC Cabin Air Filter
PTC Cabin Air Filters will filter out over 90% of pollutants, particles, harmful gases and bacteria that can affect your health

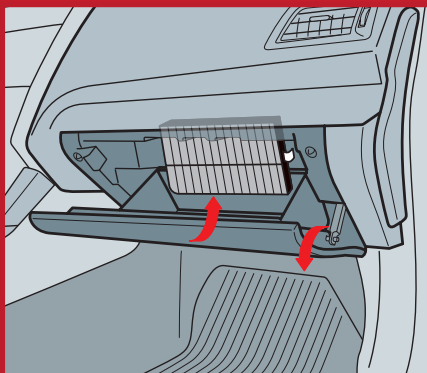


Cabin Air Filter After
18,000 Miles

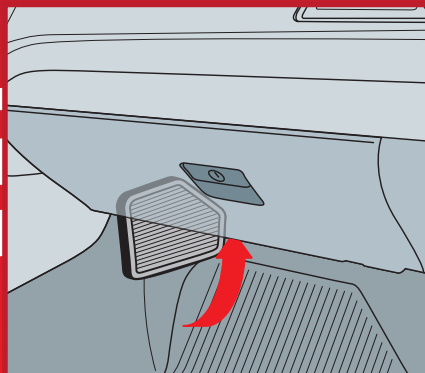
Be Car Care Aware

Cabin Air Filters are Easy to Replace & Can Be Found In the Following Locations

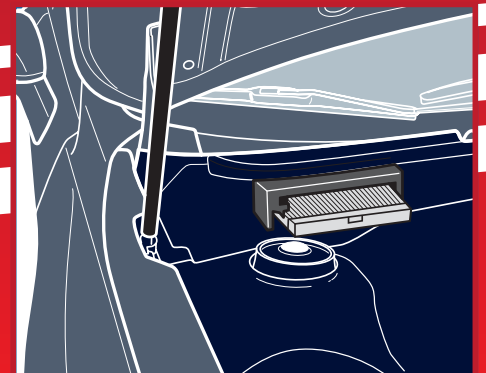
Please refer to the owner's manual or PTC's detailed instructions to verify the location and how to replace the Cabin Air Filter



UNDER THE DASHBOARD



IN THE GLOVE BOX



UNDER THE HOOD

We've got the right product, right quality & right price to help maximize your sales opportunities.

Call us today at **800.626.8333** to Order Your Needs!